

Materials Datasheet

Antistatic Klik Reel

PRODUCT DESCRIPTION

Antistatic KLIK REELS manufactured by Reel Service Limited provide users a durable, robust take up reel designed for maximum protection of tape and reeled components. These high impact polystyrene reels are manufactured with an integrated antistatic additive

The full range of tape widths and hub dimensions are catered for to provide optimum component protection and packaging strength.

WARRANTY STATEMENT

All products come with a one year limited warranty.

OTHER PRODUCTS AND SERVICES AVAILABLE

In addition to our KLIK REELS we offer a complete range of all materials necessary for tape and reel operations including: carrier tape materials, cover tapes, humidity indicator cards, moisture barrier bags, desiccant and other sundry semiconductor finishing materials. Also available from our company is a full subcontract Tape & Reel packaging and device programming service.

Please contact our customer service team for further information on our complete range of tape and reel products and services.

BASE MATERIAL

High Impact Polystyrene with Integrated Antistatic Additive

SURFACE RESISTIVITY

Antistatic with surface resistivity less than 1×10^{12} ohms per square.

COLOUR AND WINDOWS

KLIK REELS are available in white or black and provide 3 or 5 windows per flange for easy visual reference whilst maintaining ample labelling space and reel strength.

RECYCLABLE SPACE SAVING DESIGN

The unique inter-stacking design of KLIK REELS allows high density storage offering up to 180% space saving compared to assembled reels. KLIK REELS can be easily disassembled without reel damage for reuse and recycling.



This efficient, recyclable design allows users to minimise storage space thereby reducing overall cost of ownership whilst providing an environmentally ISO 14000 friendly reel.

REEL DIAMETER

KLIK REELS are available in 13inch (330mm) or 15inch (380mm) reel diameters and all tape increments for 8mm – 120mm carrier widths.

HUB WIDTH AND ASSEMBLY

KLIK REELS are supplied in two halves enabling quick, easy self-assembly. The two halves are simply clicked together to form the assembled reel. The hub diameter is available in 2 sizes: 4 or 6 inches (100 and 150mm) to offer maximum component protection no matter what size or pitch. The illustrations below outline the hub widths available to provide a finished reel

SHELF LIFE AND STORAGE CONDITIONS

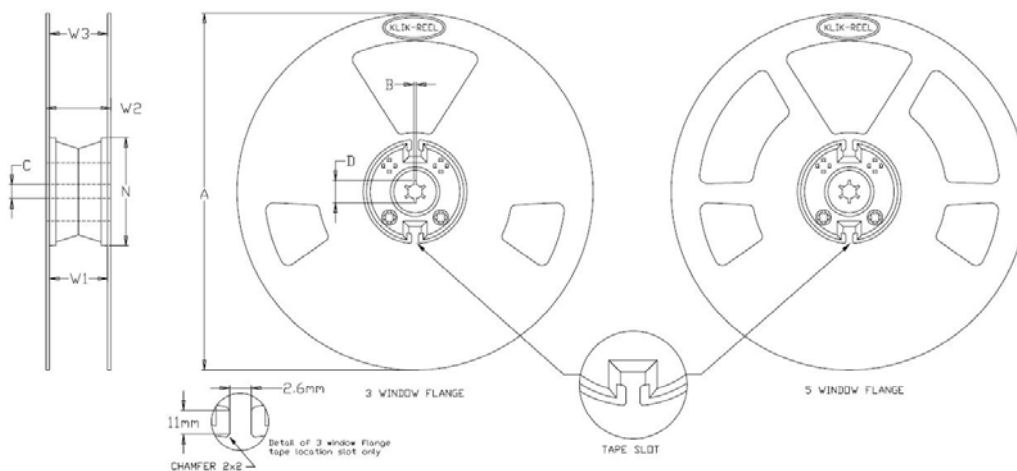
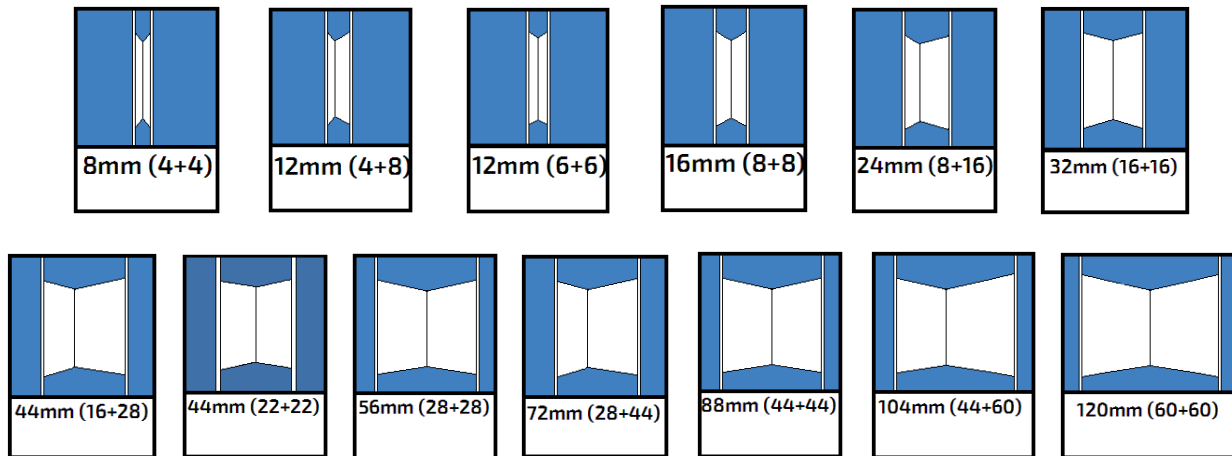
With a shelf life of two years, recommended storage conditions for KLIK REELS are: storage indoors away from direct sunlight within a temperature range of 18° C to 35° C (64°F to 95°F) and relative humidity levels of 35% - 65%.

Disclaimer:

The information provided is accurate to the best of the company's knowledge or is obtained by sources believed by the company to be accurate and does not imply any legally binding assurance.

The Company reserves the right to introduce at any time improvement to the above product(s) without prior notice.

COMBINATION GUIDE FOR KLIK REELS



DIMENSIONS FOR ASSEMBLED KLIK REELS WITH 4 AND 6 INCH (100 AND 150MM) DIAMETER HUBS (All dimensions in mm)									
Tape Width	A Diameter	B (min)	C	D (min)	N Hub	W1	W2 (max)	W3 (min)	W3 (max)
8	330 / 380	1.5	13 +/- 0.2	20.2	100 +/- 1mm	8.40 +1.5 -0.0	14.4	7.9	10.9
12	330 / 380	1.5	13 +/- 0.2	20.2	100 +/- 1mm	12.4 +2.0 -0.0	18.4	11.9	15.4
16	330 / 380	1.5	13 +0.5 - 0.2	20.2	100 or 150 +/-1mm	16.4 +2.0 -0.0	22.4	15.9	19.4
24	330 / 380	1.5	13 +0.5 - 0.2	20.2	100 or 150 +/-1mm	24.4 +2.0 -0.0	30.4	23.9	27.4
32	330 / 380	1.5	13 +0.5 - 0.2	20.2	100 or 150 +/-1mm	32.4 +2.0 -0.0	38.4	31.9	35.4
44	330 / 380	1.5	13 +0.5 - 0.2	20.2	100 or 150 +/-1mm	44.4 +2.0 -0.0	50.4	43.9	47.4
56	330 / 380	1.5	13 +0.5 - 0.2	20.2	100 or 150 +/-1mm	56.4 +2.0 -0.0	62.4	55.9	59.4
72	330	1.5	13 +0.5 - 0.2	20.2	150 +/-1mm	72.4 +2.0 -0.0	89	*	*
88	330	1.5	13 +0.5 - 0.2	20.2	150 +/-1mm	88.4 +2.0 -0.0	105	*	*
104	330	1.5	13 +0.5 - 0.2	20.2	150 +/-1mm	104.4 +2.0 -0.0	121	*	*
120	330	1.5	13 +0.5 - 0.2	20.2	150 +/-1mm	120.4 +2.0 -0.0	137	*	*

***Shall accommodate tape without interference**

ALL OTHER DIMENSIONS AND TOLERANCES ARE FULLY COMPLIANT WITH EIA 481-C

Flange (1/2 Reel) Part Numbering Reference Guide (Please see combination guide details for flange width required)					
Flange Part No.	Hub Widths Millimetres	Hub Diameter Inches	Flange Diameter Inches	Windows	Colour
REEL4KH	4	4	13	3	White
REEL8KH	8	4	13	3	White
REEL16KH	16	4	13	3	White
REEL28KH	28	4	13	3	White
REEL8KH6	8	6	13	3	White
REEL16KH6	16	6	13	3	White
REEL28KH6	28	6	13	3	White
REEL44KH6	44	6	13	3	White
REEL60KH6	60	6	13	3	White
REEL4H154	4	4	15	5	Black
REEL6H154	6	4	15	5	Black
REEL8H154	8	4	15	5	Black
REEL12H154	12	4	15	5	Black
REEL16H154	16	4	15	5	Black
REEL22H154	22	4	15	5	Black
REEL16H156	16	6	15	5	Black
REEL22H156	22	6	15	5	Black
REEL28H156	28	6	15	5	Black

Availability and Flange Per Box		
Flange Hub Width	4 Inch (100mm) Hub Diameter Flanges per box	6 inch (150mm) Hub Diameter Flanges per box
4mm	44/50***	n/a
6mm	50***	n/a
8mm	50	50
12mm	50	n/a
16mm	50	54/50***
22mm	50***	50***
28mm	50	40/50***
44mm	50	25
60mm	n/a	TBA

CUSTOMER SERVICE

Our customer service and technical support teams can assist in all aspects of specifying and sourcing your entire in-house tape & reel material requirements including carrier tape, cover tape, reels & moisture protection products.

For further assistance, please contact our Customer Service Department at the email address below.