



## Materials Datasheet

## 7 Inch Diameter Reels

### PRODUCT DESCRIPTION

The 7 inch Diameter reels manufactured by Reel Service Limited provide the latest addition to our full range of take up reels, carrier and cover tape supplies.

These polystyrene reels are designed to maximum strength to ensure complete component protection and lead integrity. Our design provides windows on one side for easy visual reference whilst providing adequate labelling space.

We offer full ESD protection with our static dissipative reels available in a range of tape widths from 8mm – 16mm.

Our 7 inch reels are supplied as complete reels.

Our one-piece moulding process eliminates adhesion problems inherent with bonded reels designs.

### BASE MATERIAL

Static Dissipative Polystyrene with Integrated Antistatic Additive

### SURFACE RESISTIVITY

Static Dissipative Reels: Static Dissipative with surface resistivity of Less than  $1 \times 10^{12}$  ohms per square.

### COLOUR AND WINDOWS

Static dissipative 7-inch reels are available in white and offer a window design providing easy visual reference whilst maintaining ample labelling space and reel strength.

### RECYCLABLE SPACE SAVING DESIGN

Our polystyrene base material allows users an environmentally friendly, recyclable reel.



### REEL DIAMETER

The one-piece injection moulded reels manufactured by Reel Service are available with a 7-inch (178mm) reel diameter. Contact our customer service departments for our complete range of 7-inch 13-inch and 15-inch reel sizes.

### HUB WIDTH AND ASSEMBLY

The hub diameter is 2.36 inches (60 mm) available in widths of 8mm, 12mm and 16mm, making these reels ideal for maximum utilization of reel space for small sized components or small volume requirements.

### SHELF LIFE AND STORAGE CONDITIONS

With a shelf life of two years, recommended storage conditions for 7 inch reels are: storage indoors away from direct sunlight within a temperature range of 18 C to 35 C (64 F to 95 F) and relative humidity levels of 35% – 65%.

### CUSTOMER SERVICE

Our customer service and technical support teams can assist in all aspects of specifying and sourcing your entire in-house tape & reel material requirements including carrier tape, cover tape, reels & moisture protection products.

For further assistance, please contact our Customer Service Department at the email address below.

### Disclaimer:

The information provided is accurate to the best of the company's knowledge or is obtained by sources believed by the company to be accurate and does not imply any legally binding assurance.

The Company reserves the right to introduce at any time improvement to the above product(s) without prior notice.

## Materials Datasheet

## 7 Inch Diameter Reels

QUANTITY PER BOX	
Hub Width	Reels Per Box
8mm	200
12mm	120
16mm	100

### WARRANTY

All products come with a one year limited warranty.

Reel Service Limited design carrier tapes for all standard and non-standardised components and can assist in cover tape and KLIK REEL recommendations.

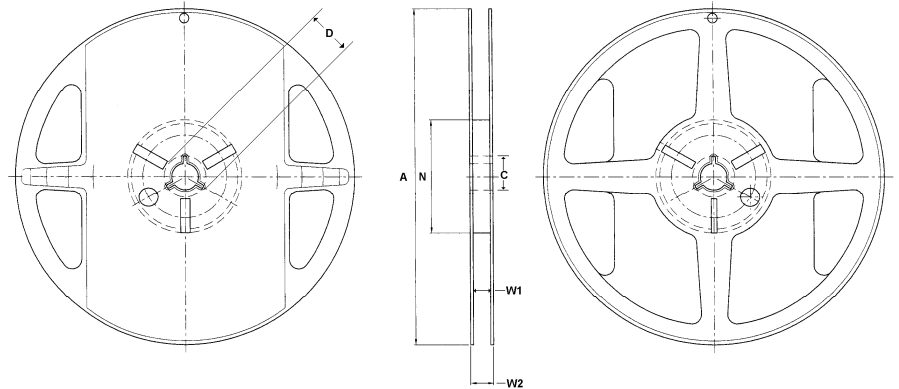
Materials required for in-house tape & reel and finished goods operations are also supplied. MBB's / HIC / Desiccant / Pizza boxes/ Protective Collars etc.

### OTHER PRODUCTS AND SERVICES AVAILABLE

In addition to our reels, we offer a complete range of all materials necessary for tape and reel operations including: cover tape, carrier tapes, humidity indicator cards, moisture barrier bags, desiccant and other sundry semiconductor finishing materials.

Also available from our company is a full subcontract Tape & Reel packaging and Device Programming service.

Please contact our customer service team for further information on our complete range of Tape & Reel products and services.



### DIMENSIONS FOR STATIC DISSIPATIVE 7-INCH MOULDED REELS

Tape Width	A Diameter	C	D (min)	N Hub	W1	W2 (max)
8	178 +/- 1.0	13.5 +/-0.5	20.2	60 +0.1 -0.0	9 +/- 0.5	11.5
12	178 +/- 1.0	13.5 +/-0.5	20.2	60 +0.1 -0.0	13 +/- 0.5	15.5
16	178 +/-1.0	13.5 +/-0.5	20.2	60 +0.1 -0.0	17 +/- 0.5	19.5
24	178 +/-1.0	13.5 +/-0.5	20.2	60 +0.1 -0.0	25 +/- 0.5	27.5

ALL OTHER DIMENSIONS AND TOLERANCES ARE FULLY COMPLIANT WITH EIA 481-C

### 7 INCH REEL PART NUMBERING PREFERENCE GUIDE. ALL REELS ARE PROVIDED AS ONE PIECE COMPLETE REELS

Part No.	Hub Width mm	Hub Diameter Inches	Flange Diameter Inches	Colour
White Static Dissipative				
REEL708AS3	8	2.36 (60mm)	7 (178mm)	White
REEL712AS3	12	2.36 (60mm)	7 (178mm)	White
REEL716AS3	16	2.36 (60mm)	7 (178mm)	White

NOTE: 24mm wide may be available on special request.