



Materials Datasheet

22 Inch Diameter Reels

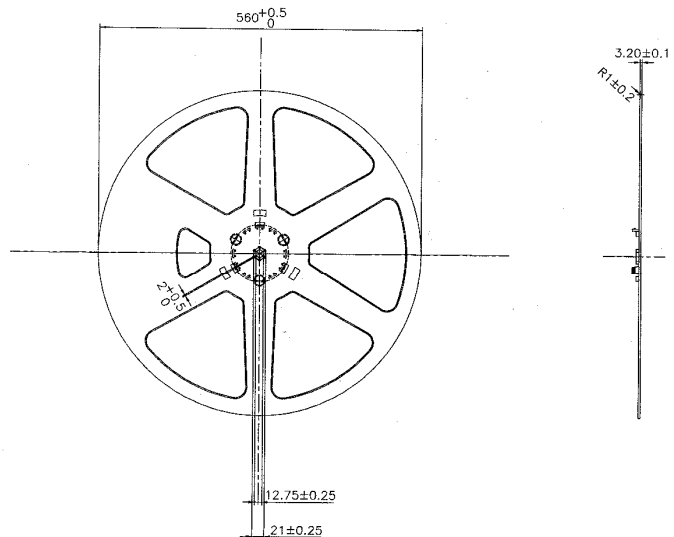
PRODUCT DESCRIPTION

The 22 inch Diameter reels supplied by Reel Service Limited provide the latest addition to our full range of take up reels, carrier and cover tape supplies.

These self assembly polystyrene reels are designed to maximum strength to ensure complete component protection and lead integrity. Our design provides windows on one side for easy visual reference whilst providing adequate labelling space.

We offer full ESD protection with our static dissipative reels available in a range of tape widths .

22" Diameter Flanges



PROPERTIES

| Description | Unit of Measure |
|----------------------------|--|
| Surface Resistivity | Static Dissipative Between 10e10 – 10e12 Ohms Square |
| Storage Conditions | Reels should be stored indoors away from direct sunlight within a temperature range of 18Deg C to 35 Deg C and relative humidity levels of 35% - 65% |
| Material | High Impact Polystyrene with Antistatic Additive |
| Shelf Life | 2 Years (See storage conditions) |
| Colour | White |

22 INCH REEL PART NUMBERING REFERENCE GUIDE

| Part No. | Flange Diameter | Qty Flanges per box |
|-------------------|-----------------|---------------------|
| FLANGE P22 | 22" (560mm) | 19 |

CUSTOMER SERVICE

Our customer service and technical support teams can assist in all aspects of specifying and sourcing your entire in-house tape & reel material requirements including carrier tape, cover tape, reels & moisture protection products.

For further assistance, please contact our Customer Service Department at the email address below.

Materials Datasheet

22 Inch Diameter Reels

WARRANTY

All products come with a one year limited warranty.

Reel Service Limited design carrier tapes for all standard and non-standardised components and can assist in cover tape and KLIK REEL recommendations.

Materials required for in-house tape & reel and finished goods operations are also supplied. MBB's / HIC / Desiccant / Pizza boxes/ Protective Collars etc.

Please contact our customer service department at the address below

OTHER PRODUCTS AND SERVICES AVAILABLE

In addition to our reels, we offer a complete range of all materials necessary for tape and reel operations including: cover tape, carrier tapes, humidity indicator cards, moisture barrier bags, desiccant and other sundry semiconductor finishing materials.

Also available from our company is a full subcontract Tape & Reel packaging and Device Programming service.

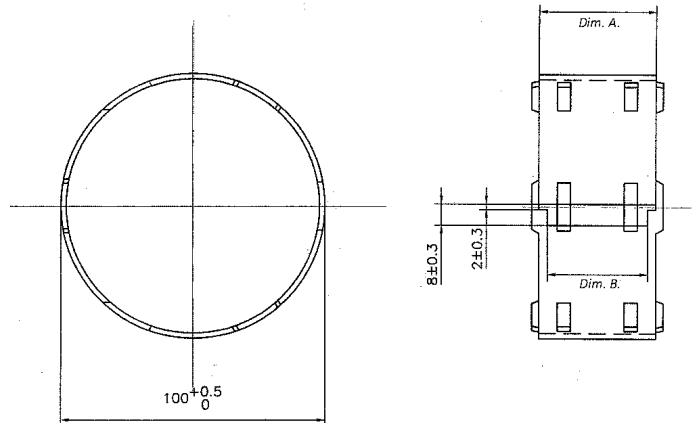
Please contact our customer service team for further information on our complete range of Tape & Reel products and services.

Disclaimer:

The information provided is accurate to the best of the company's knowledge or is obtained by sources believed by the company to be accurate and does not imply any legally binding assurance.

The Company reserves the right to introduce at any time improvement to the above product(s) without prior notice.

Hubs



PROPERTIES

| Description | Unit of Measure |
|--------------------|--|
| Surface | Static Dissipative |
| Resistivity | Between 10e10 – 10e12 Ohms Square |
| Storage Conditions | Reels should be stored indoors away from direct sunlight within a temperature range of 18Deg C to 35 Deg C and relative humidity levels of 35% - 65% |
| Material | High Impact Polystyrene with Antistatic Additive |
| Shelf Life | 2 Years (See storage conditions) |
| Colour | White |

HUB PART NUMBER REFERENCE GUIDE

| Hub part number | Tape Width | Dim A. | Dim B | Qty hubs perbox |
|-----------------|------------|-----------------|-------------|-----------------|
| HUBP24 | 24 | 24.4 +0.2/-0 | 20 ± 0.3 | 114 |
| HUBP32 | 32 | 32.4 +0.2/-0 | 26 ± 0.3 | 114 |
| HUBP44 | 44 | 44.4 +0.2/-0 | 38 ± 0.3 | 114 |
| HUBP56 | 56 | 56.4 +0.2/-0 | 50 ± 0.3 | 114 |

All Dimensions are in mm